

## Plug Valves Series PV

### Advantages

Compact design features internal nitrile seals and a one-piece extruded brass body, offering compatibility with a wide range of media. The one-piece stem/handle combination is constructed of glass reinforced acetal copolymer. Parker plug valves feature 1/4 turn shutoff allowing for ease of operation. All plug valves are 100% leak tested and are certified to be leak free to one SCCM.

### Materials

Extruded Bodies: CA 360  
 Stem/Handle: Acetal Copolymer  
 O-Rings: Nitrile (other compounds available)  
 Stop Pin: 420SS  
 Spiral Ring: 302SS

### Temperature and Working Pressure Ranges

From -40° to +175°F at 250 PSI maximum.

### Applications

Manufactured for use with air, water, oil and certain other fluids. Contact factory for special fluid requirements

### Installation Instructions

To assure sealability and reliable performance, the valve must be installed so that the flow media travels in the direction of the arrow on the valve handle.

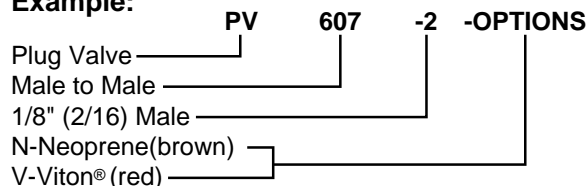
### Order

By part number and name.

### Nomenclature

Part numbers are constructed from symbols that identify the style and size of the fitting. The first series of numbers and letters identifies the style and type fitting. The second series of numbers describes the size.

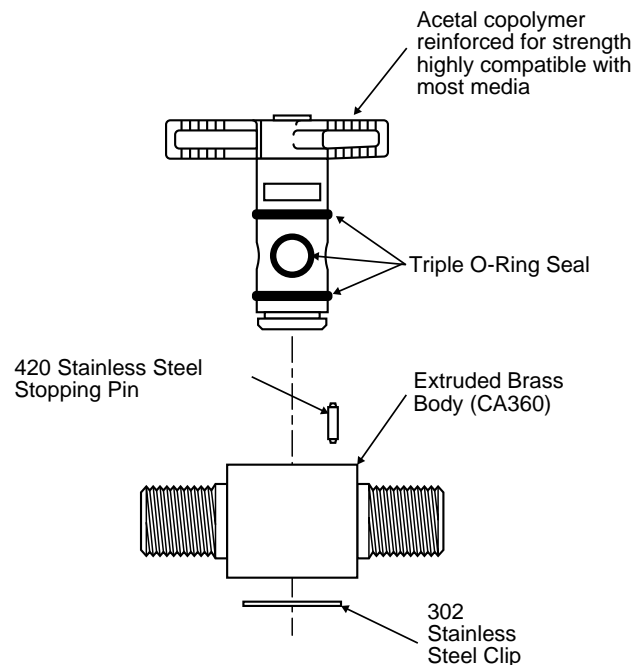
#### Example:



### Special Valves

Fitting configurations and/or sizes other than those shown in the catalog can be furnished. It is suggested that a print or sketch be submitted with the inquiry.

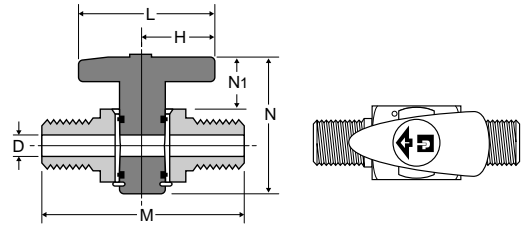
### Features



## Plug Valves Series PV

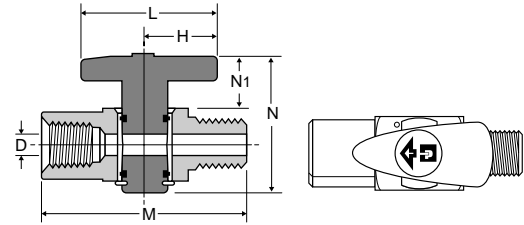
### Male Pipe to Male Pipe Plug Valve PV607

PART NO.	PIPE THREAD	H	L	M	N	N1	FLOW DIA. D
PV607-2	1/8	.67	1.34	1.66	1.38	.51	.200
PV607-4	1/4	.67	1.34	2.02	1.38	.51	.200



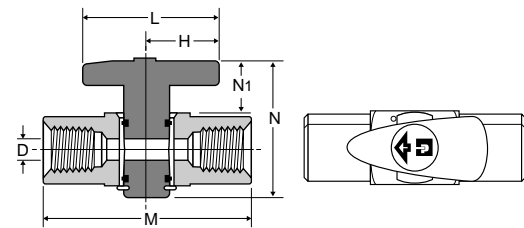
### Female Pipe to Male Pipe Plug Valve PV608

PART NO.	PIPE THREAD	H	L	M	N	N1	FLOW DIA. D
PV608-2	1/8	.67	1.34	1.67	1.38	.51	.200
PV608-4	1/4	.67	1.34	2.06	1.38	.51	.200



### Female Pipe to Female Pipe Plug Valve PV609

PART NO.	PIPE THREAD	H	L	M	N	N1	FLOW DIA. D
PV609-2	1/8	.67	1.34	1.68	1.38	.51	.200
PV609-4	1/4	.67	1.34	2.10	1.38	.51	.200



### Mounting Bracket PVMB-001

PART NO.	H	L	M	N	N1	D
PVMB-001	.68	.75	1.86	.90	.45	.135

Note: 1" diameter hole required in panel when using mounting bracket

