

90° Ball Valves Series 590/591

Advantages

Parker's forged body valve provides extended service life and resists failure caused by severe temperature applications. Optimum flow design assures maximum system efficiency. Highly inert PTFE seats and seals provide resistance to chemical corrosion. Parker also provides a blow-out proof stem and chrome plated brass ball on all series 590/591 valves. Parker's 590/591 series valve bodies are machined from high quality CA377 forgings.

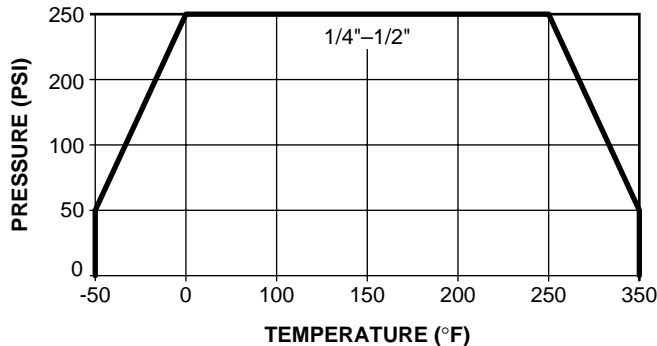
Applications

Parker's industrial ball valve product line is intended for general purpose use. Please be aware that ball valves are intended for use in the fully open or closed positions. Depending on application conditions, throttling of the valve may result in premature seal failure and/or inability to turn the valve handle.

For use as fuel line shutoffs for gasoline and diesel powered over the highway, off highway and construction equipment vehicles. Water and air service lines on capital equipment and plant design plumbing that require total shut-off capability.

Working Pressure and Temperature

Saturated steam service up to 150 PSI and 400° F
Vacuum, 29 Inches of Mercury



Operating Instructions

Quarter turn is "on" or "off".
(Provides positive stop action for full shut-off.)

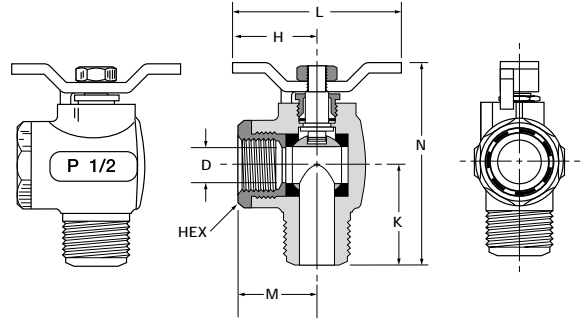
NOTE: PERIODICALLY CHECK THE ADJUSTABLE PACKING NUT AND TIGHTEN AS REQUIRED.

Style	Type	Material	Size	Options
V	590	P	-8	-00
Style	V-Valve			
Type	590-90° Male/Female 591-90° Male/Male			
Material	P- Brass			
Size	4-1/4" 6-3/8" 8-1/2"			
Options	04-Lever Handle 08-Unmarked Yellow Vinyl Handle Cover			

Note: 90° Ball Valve Series 590/591 has a tee handle as standard. A Lever Handle is available as option 04.

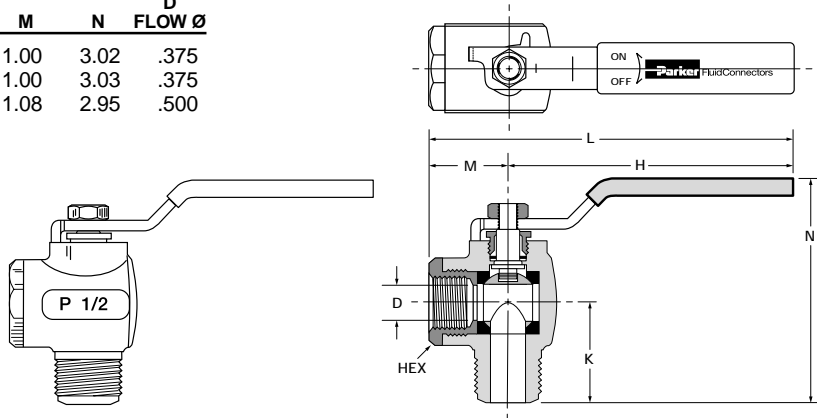
90° Flow, Male-Female Pipe Ends XV590P

PART NO.	PIPE THREAD	HEX	H	K	L	M	N	D FLOW Ø
XV590P-4	1/4	15/16	1.25	1.08	2.50	1.00	2.42	.375
XV590P-6	3/8	15/16	1.25	1.09	2.50	1.00	2.43	.375
XV590P-8	1/2	1-1/16	1.25	1.30	2.50	1.08	2.67	.500



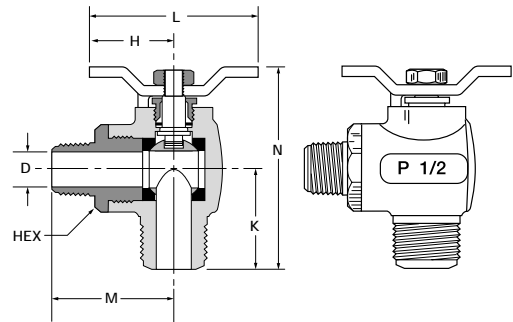
Lever Handle, 90° Flow, Male-Female Pipe Ends XV590P-X-04

PART NO.	PIPE THREAD	HEX	H	K	L	M	N	D FLOW Ø
XV590P-4-04	1/4	15/16	3.96	1.08	4.96	1.00	3.02	.375
XV590P-6-04	3/8	15/16	3.96	1.09	4.96	1.00	3.03	.375
XV590P-8-04	1/2	1-1/16	3.80	1.30	4.88	1.08	2.95	.500



90° Flow, Male-Male Pipe Ends XV591P

PART NO.	PIPE THREAD	HEX	H	K	L	M	N	D FLOW Ø
XV591P-4	1/4	15/16	1.25	1.08	2.50	1.56	2.42	.375
XV591P-6	3/8	15/16	1.25	1.09	2.50	1.56	2.43	.375
XV591P-8	1/2	1-1/16	1.25	1.30	2.50	1.84	2.67	.500



Lever Handle, 90° Flow, Male-Male Pipe Ends XV591P-X-04

PART NO.	PIPE THREAD	HEX	H	K	L	M	N	D FLOW Ø
XV591P-4-04	1/4	15/16	3.96	1.08	5.52	1.56	3.02	.375
XV591P-6-04	3/8	15/16	3.96	1.09	5.52	1.56	3.03	.375
XV591P-8-04	1/2	1-1/16	3.80	1.30	5.64	1.84	2.95	.500

