

Male/Female Ball Valves Series 501

Advantages

Parker's forged body ball valve provides extended service life and resists failure caused by severe temperature applications. Optimum flow design assures maximum system efficiency. Highly inert PTFE seats and seals provide resistance to chemical corrosion. Parker also provides a blow-out proof stem, chrome plated brass ball and a specially designed handle enabling increased turning leverage for ease of opening and closing. Parker's ball valve can be readily identified assuring high quality engineering and reliability. This economical ball valve is available in 1/4", 3/8", 1/2", 3/4" and 1" female/male pipe sizes. Parker's ball valve bodies are machined from high quality CA 377 forgings.

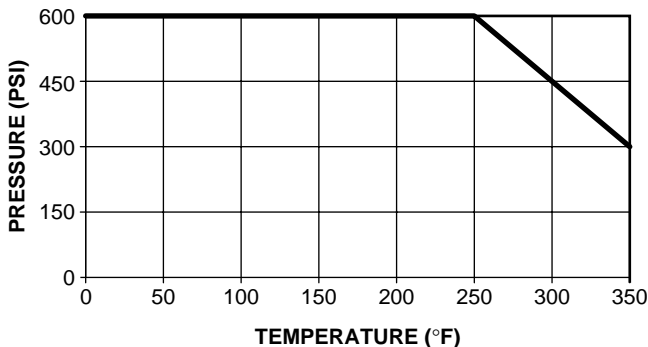
Applications

Parker's industrial ball valve product line is intended for general purpose use. Please be aware that ball valves are intended for use in the fully open or closed positions. Depending on application conditions, throttling of the valve may result in premature seal failure and/or inability to turn the valve handle.

For use as fuel line shutoffs for gasoline and diesel powered over highway, off highway, and construction equipment vehicles. Water and air service lines on capital equipment and plant design plumbing that require total shutoff capability.

Working Pressure and Temperatures

Saturated steam service up to 150 PSI and 400° F
 Vacuum, 29 Inches of Mercury
 Vented up to 250 PSI



Operating Instructions

Quarter turn is "ON" or "OFF".
 (Provides positive stop action for full shutoff.)

NOTE: PERIODICALLY CHECK THE ADJUSTABLE PACKING NUT AND TIGHTEN AS REQUIRED.

Style	Type	Material	Size	Options
V	501	P	-4	-00
Style	V-Valve VP-Valve, Padlocking Handle VV-Valve, Vented VVP-Valve, Vented, Padlocking Handle			
Type	501-Male/Female PTF Ports			
Material	P- Brass PN-Nickel Plated			
Size	4-1/4" 6-3/8" 8-1/2" 12-3/4" 16-1"			
Options	01-Stainless Steel Ball & Stem 02-Stainless Steel Handle & Nut 03-Stainless Steel Ball, Stem, Handle & Nut 04-Tee Handle 08-Unmarked Yellow Vinyl Handle Cover 21-Oval Handle			

Flow Data

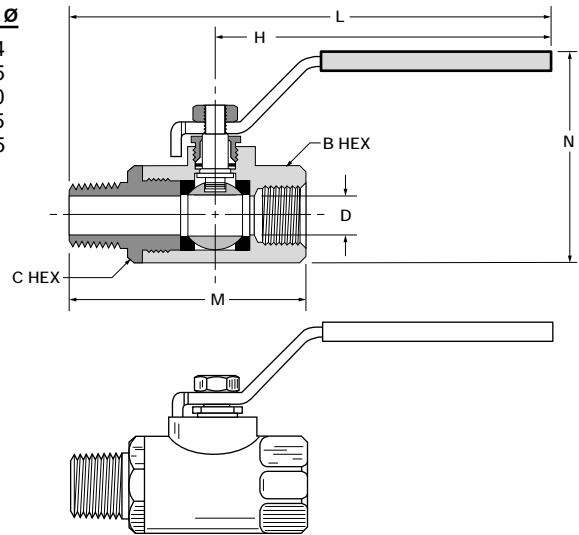
VALVE SIZE	CV
1/4	6.3
3/8	5.7
1/2	10.0
3/4	25.0
1	35.0

Male/Female Ball Valves Series 501

Male-Female Pipe Ends XV501P

PART NO.	PIPE THREAD	B HEX	C HEX	H	L	M	N	D FLOW Ø
XV501P-4	1/4	15/16	15/16	3.96	5.46	2.59	2.47	.344
XV501P-6	3/8	15/16	15/16	3.96	5.46	2.59	2.47	.375
XV501P-8	1/2	1-1/16	1-1/16	3.96	5.75	2.94	2.58	.500
XV501P-12	3/4*	1-1/4	1-5/16	3.96	5.83	3.00	2.81	.685
XV501P-16	1*	1-1/2	1-9/16	3.96	6.19	3.60	3.08	.875

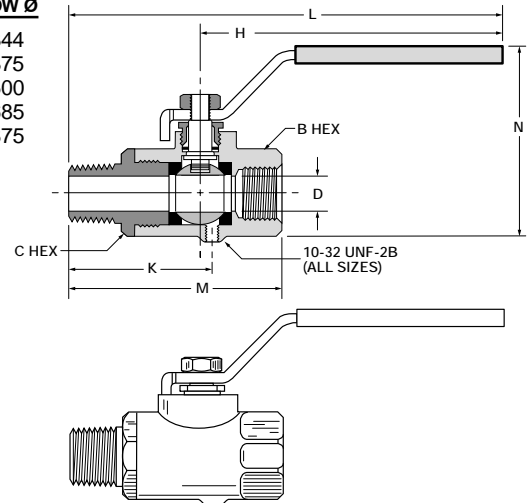
*Special Short



Vented, Male-Female Pipe Ends XVV501P

PART NO.	PIPE THREAD	B HEX	C HEX	K	H	L	M	N	D FLOW Ø
XVV501P-4	1/4	15/16	15/16	1.67	3.96	5.46	2.59	2.47	.344
XVV501P-6	3/8	15/16	15/16	1.67	3.96	5.46	2.59	2.47	.375
XVV501P-8	1/2	1-1/16	1-1/16	1.98	3.96	5.75	2.95	2.58	.500
XVV501P-12	3/4*	1-1/4	1-5/16	2.03	3.96	5.83	3.00	2.81	.685
XVV501P-16	1*	1-1/2	1-9/16	2.43	3.96	6.19	3.60	3.08	.875

*Special Short

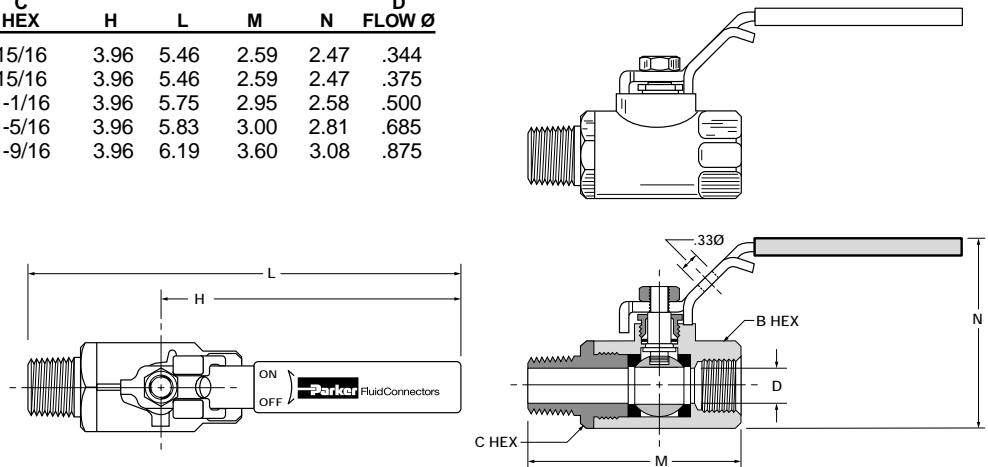


Locking Handle, Male-Female Pipe Ends XVP501P

PART NO.	PIPE THREAD	B HEX	C HEX	H	L	M	N	D FLOW Ø
XVP501P-4	1/4	15/16	15/16	3.96	5.46	2.59	2.47	.344
XVP501P-6	3/8	15/16	15/16	3.96	5.46	2.59	2.47	.375
XVP501P-8	1/2	1-1/16	1-1/16	3.96	5.75	2.95	2.58	.500
XVP501P-12	3/4*	1-1/4	1-5/16	3.96	5.83	3.00	2.81	.685
XVP501P-16	1*	1-1/2	1-9/16	3.96	6.19	3.60	3.08	.875

For use with 5/16" Ø shank lock

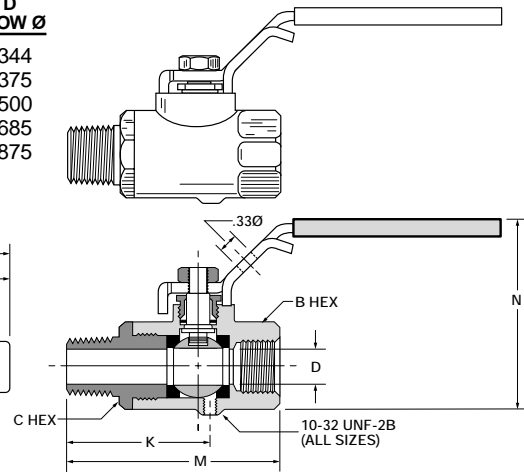
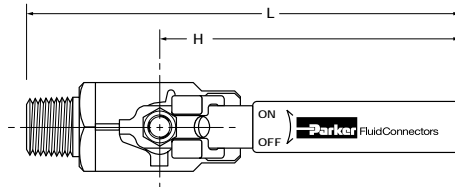
*Special Short



**OSHA 29 CFR Part 1910
Vented, Locking Handle, Male-Female Pipe Ends XVVP501P**

PART NO.	PIPE THREAD	B HEX	C HEX	K	H	L	M	N	D FLOW Ø
XVVP501P-4	1/4	15/16	15/16	1.67	3.96	5.46	2.59	2.47	.344
XVVP501P-6	3/8	15/16	15/16	1.67	3.96	5.46	2.59	2.47	.375
XVVP501P-8	1/2	1-1/16	1-1/16	1.98	3.96	5.75	2.95	2.58	.500
XVVP501P-12	3/4*	1-1/4	1-5/16	2.03	3.96	5.83	3.00	2.81	.685
XVVP501P-16	1*	1-1/2	1-9/16	2.43	3.96	6.19	3.60	3.08	.875

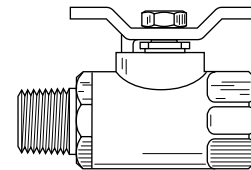
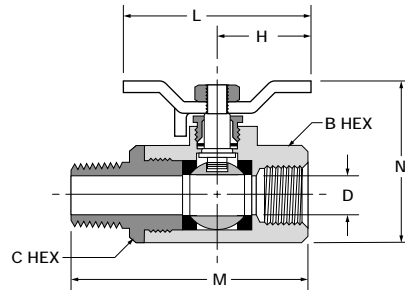
For use with 5/16" Ø shank lock
*Special Short



Tee Handle, Male-Female Pipe Ends XV501P-X-04

PART NO.	PIPE THREAD	B HEX	C HEX	H	L	M	N	D FLOW Ø
XV501P-4-04	1/4	15/16	15/16	1.25	2.50	2.59	1.87	.344
XV501P-6-04	3/8	15/16	15/16	1.25	2.50	2.59	1.87	.375
XV501P-8-04	1/2	1-1/16	1-1/16	1.25	2.50	2.95	1.98	.500
XV501P-12-04	3/4*	1-1/4	1-5/16	1.25	2.50	3.00	2.20	.685
XV501P-16-04	1*	1-1/2	1-9/16	1.25	2.50	3.60	2.48	.875

*Special Short



Oval Handle, Male-Female Pipe Ends XV501P-X-21

PART NO.	PIPE THREAD	B HEX	C HEX	H	L	M	N	D FLOW Ø
XV501P-4-21	1/4	15/16	15/16	1.74	3.49	2.59	2.38	.344
XV501P-6-21	3/8	15/16	15/16	1.74	3.49	2.59	2.38	.375
XV501P-8-21	1/2	1-1/16	1-1/16	1.74	3.49	2.95	2.49	.500
XV501P-12-21	3/4*	1-1/4	1-5/16	1.74	3.48	3.00	2.71	.685
XV501P-16-21	1*	1-1/2	1-9/16	1.74	3.48	3.60	2.99	.875

*Special Short

