

High Pressure Carbon Steel Ball Valves Series 500HP/506HP

Advantages

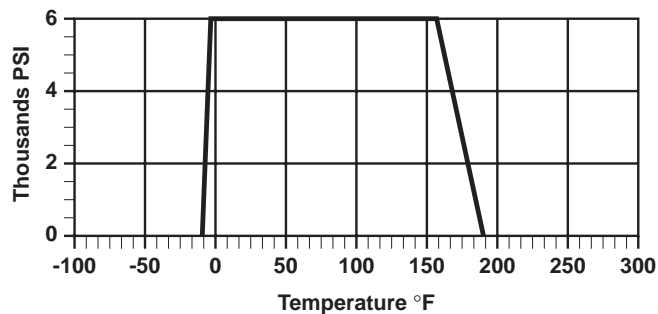
Parker's high pressure carbon steel ball valves feature a round or square body with hex shaped ports for easy installation. Delrin™ seats with Molybdenum disulphide (MoS₂) results in lower actuation torque and will increase high duty life cycle expectancy. The stem seals are Nitrile O-Rings. All sizes are full ported, which means an unrestricted bore and minimum flow restriction. Available port configurations are NPT and SAE straight thread 1/4 inch through 2 inch.

Applications

Parker's industrial ball valve product line is intended for general purpose use. Please be aware that ball valves are intended for use in the fully open or closed positions. Depending on application conditions, throttling of the valve may result in premature seal failure and/or inability to turn the valve handle.

For use as fuel line shutoffs for gasoline and diesel powered over the highway, off highway, and construction equipment vehicles. Hydraulic and general industrial applications on capital equipment and plant design plumbing that require total shutoff capability.

Working Pressure and Temperature



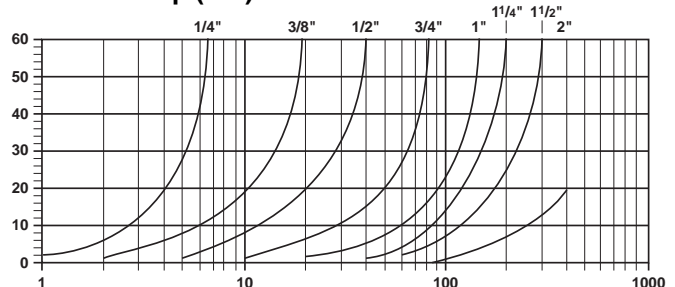
Operating Instructions

Quarter turn is "ON" or "OFF".
(Provides positive stop action for full shutoff.)

| Style | Type | Material | Size |
|----------|--|--|------|
| V | 500 | HP | -4 |
| Style | V-Valve VP-Valve, Padlocking Handle | | |
| Type | 500-Female/Female NPT Ports | | |
| Material | HP-High Pressure Carbon Steel | | |
| Size | 4-1/4" 6-3/8" 8-1/2" 12-3/4" | 16-1" 20-1 1/4" 24-1 1/2" 32-2" | |

| Style | Type | Material | Size |
|----------|--|--|------|
| V | 506 | HP | -20 |
| Style | V-Valve VP-Valve, Padlocking Handle | | |
| Type | 506- Female/Female SAE Straight Thread Ports | | |
| Material | HP-High Pressure Carbon Steel | | |
| Size | 4-1/4" 6-3/8" 8-1/2" 12-3/4" | 16-1" 20-1 1/4" 24-1 1/2" 32-2" | |

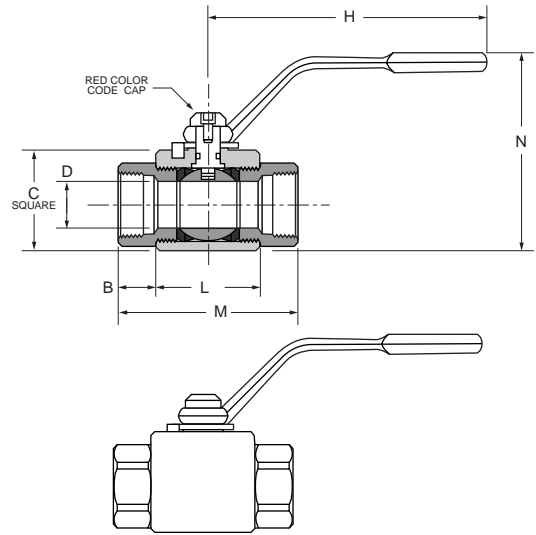
Pressure Drop (PSI)



High Pressure Carbon Steel Ball Valves Series 500HP/506HP

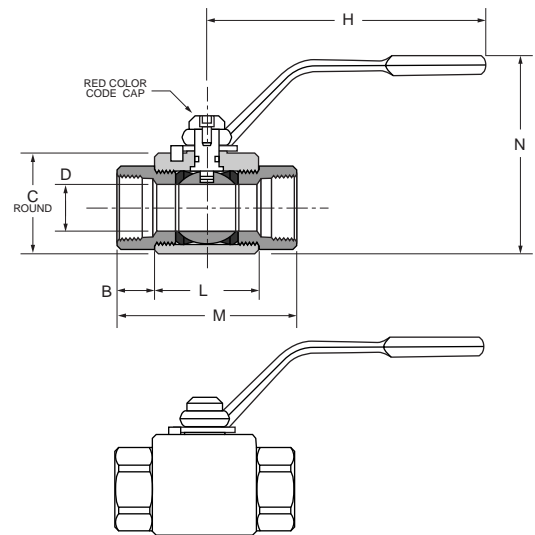
6000 PSI Female-Female Pipe Ends XV500HP-X

| PART NO. | PIPE THREAD | B | C | H | L | M | N | FLOW DIA. D |
|------------|-------------|-----|------|------|------|------|------|-------------|
| XV500HP-4 | 1/4-18 | .67 | 1.38 | 4.50 | 1.39 | 2.74 | 2.98 | .240 |
| XV500HP-6 | 3/8-18 | .60 | 1.50 | 4.50 | 1.65 | 2.87 | 3.11 | .390 |
| XV500HP-8 | 1/2-14 | .75 | 1.63 | 4.50 | 1.85 | 3.35 | 3.23 | .510 |
| XV500HP-12 | 3/4-14 | .70 | 2.25 | 7.00 | 2.40 | 3.80 | 4.70 | .790 |
| XV500HP-16 | 1-11.5 | .96 | 2.50 | 7.00 | 2.57 | 4.49 | 4.95 | .950 |



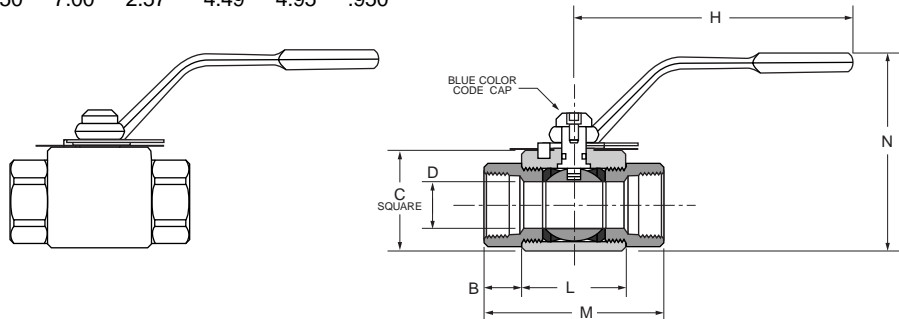
6000 PSI Female-Female Pipe Ends XV500HP-X (LARGE)

| PART NO. | PIPE THREAD | B | C | H | L | M | N | FLOW DIA. D |
|------------|-------------|------|------|-------|------|------|------|-------------|
| XV500HP-20 | 1 1/4-11.5 | .85 | 3.25 | 10.00 | 3.15 | 4.84 | 6.31 | 1.26 |
| XV500HP-24 | 1 1/2-11.5 | .99 | 3.75 | 10.00 | 3.35 | 5.33 | 6.76 | 1.50 |
| XV500HP-32 | 2-11.5 | 1.30 | 4.50 | 10.00 | 3.94 | 6.54 | 7.42 | 1.89 |



6000 PSI Locking-Female-Female Pipe Ends XVP500HP-X

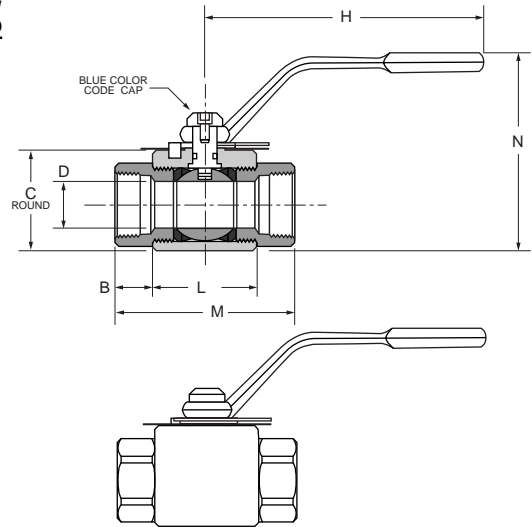
| PART NO. | PIPE THREAD | B | C | H | L | M | N | FLOW DIA. D |
|-------------|-------------|-----|------|------|------|------|------|-------------|
| XVP500HP-4 | 1/4-18 | .67 | 1.38 | 4.50 | 1.39 | 2.74 | 2.98 | .240 |
| XVP500HP-6 | 3/8-18 | .60 | 1.50 | 4.50 | 1.65 | 2.87 | 3.11 | .390 |
| XVP500HP-8 | 1/2-14 | .75 | 1.63 | 4.50 | 1.85 | 3.35 | 3.23 | .510 |
| XVP500HP-12 | 3/4-14 | .70 | 2.25 | 7.00 | 2.40 | 3.80 | 4.70 | .790 |
| XVP500HP-16 | 1-11.5 | .96 | 2.50 | 7.00 | 2.57 | 4.49 | 4.95 | .950 |



High Pressure Carbon Steel Ball Valves Series 500HP/506HP

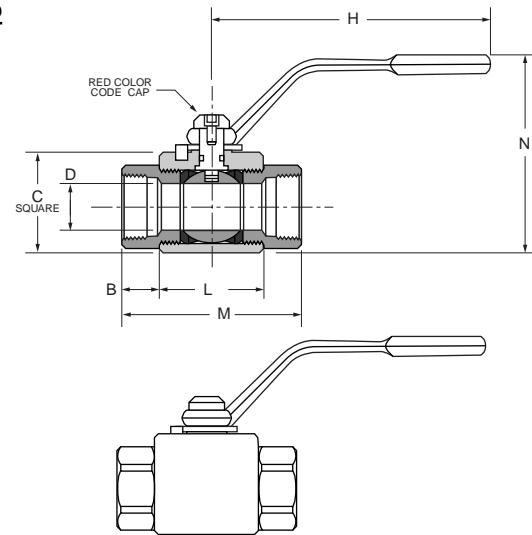
6000 PSI Locking-Female-Female Pipe Ends XVP500HP-X (LARGE)

| PART NO. | PIPE THREAD | B | C | H | L | M | N | FLOW DIA. D |
|-------------|-------------|------|------|-------|------|------|------|-------------|
| XVP500HP-20 | 1 1/4-11.5 | .85 | 3.25 | 10.00 | 3.15 | 4.84 | 6.31 | 1.26 |
| XVP500HP-24 | 1 1/2-11.5 | .99 | 3.75 | 10.00 | 3.35 | 5.33 | 6.76 | 1.50 |
| XVP500HP-32 | 2-11.5 | 1.30 | 4.50 | 10.00 | 3.94 | 6.54 | 7.42 | 1.89 |



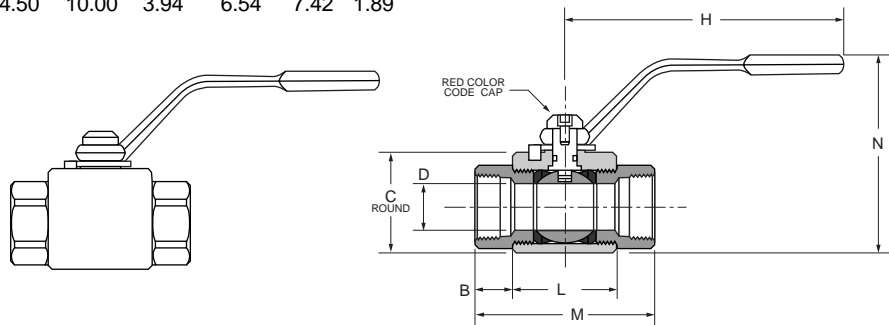
6000 PSI Female-Female Pipe Ends XV506HP-X

| PART NO. | SAE J1926-1 THREAD | B | C | H | L | M | N | FLOW DIA. D |
|------------|--------------------|-----|------|------|------|------|------|-------------|
| XV506HP-4 | 7/16-20 UNF | .67 | 1.38 | 4.50 | 1.39 | 2.74 | 2.98 | .240 |
| XV506HP-6 | 9/16-18 UNF | .60 | 1.50 | 4.50 | 1.65 | 2.87 | 3.11 | .390 |
| XV506HP-8 | 3/4-16 UNF | .75 | 1.63 | 4.50 | 1.85 | 3.35 | 3.23 | .510 |
| XV506HP-12 | 1 1/16-12 UNF | .70 | 2.25 | 7.00 | 2.40 | 3.80 | 4.70 | .790 |
| XV506HP-16 | 1 5/16-12 UNF | .96 | 2.50 | 7.00 | 2.57 | 4.49 | 4.95 | .950 |



6000 PSI Female-Female Pipe Ends XV506HP-X (LARGE)

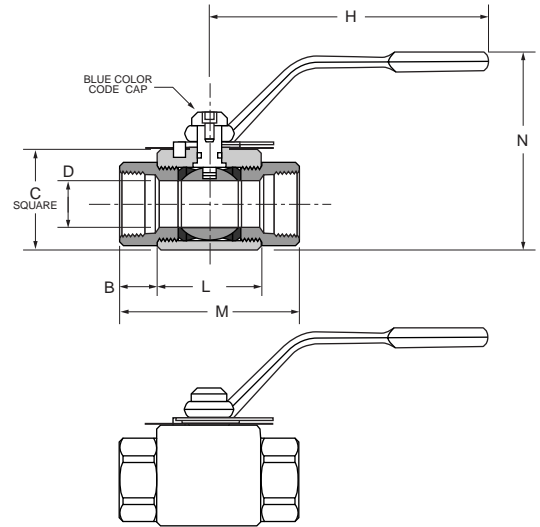
| PART NO. | SAE J1926-1 THREAD | B | C | H | L | M | N | FLOW DIA. D |
|------------|--------------------|------|------|-------|------|------|------|-------------|
| XV506HP-20 | 1 5/8-12 UNF | .85 | 3.25 | 10.00 | 3.15 | 4.84 | 6.31 | 1.26 |
| XV506HP-24 | 1 7/8-12 UNF | .99 | 3.75 | 10.00 | 3.35 | 5.33 | 6.76 | 1.50 |
| XV506HP-32 | 2 1/2-12 UNF | 1.30 | 4.50 | 10.00 | 3.94 | 6.54 | 7.42 | 1.89 |



High Pressure Carbon Steel Ball Valves Series 500HP/506HP

6000 PSI Locking-Female-Female Pipe Ends XVP506HP-X

| PART NO. | SAE J1926-1 THREAD | B | C | H | L | M | N | FLOW DIA. D |
|-------------|--------------------|-----|------|------|------|------|------|-------------|
| XVP506HP-4 | 7/16-20 UNF | .67 | 1.38 | 4.50 | 1.39 | 2.74 | 2.98 | .240 |
| XVP506HP-6 | 9/16-18 UNF | .60 | 1.50 | 4.50 | 1.65 | 2.87 | 3.11 | .390 |
| XVP506HP-8 | 3/4-16 UNF | .75 | 1.63 | 4.50 | 1.85 | 3.35 | 3.23 | .510 |
| XVP506HP-12 | 1 1/16-12 UNF | .70 | 2.25 | 7.00 | 2.40 | 3.80 | 4.70 | .790 |
| XVP506HP-16 | 1 5/16-12 UNF | .96 | 2.50 | 7.00 | 2.57 | 4.49 | 4.95 | .950 |



6000 PSI Locking-Female-Female Pipe Ends XVP506HP-X (LARGE)

| PART NO. | SAE J1926-1 THREAD | B | C | H | L | M | N | FLOW DIA. D |
|-------------|--------------------|------|------|-------|------|------|------|-------------|
| XVP506HP-20 | 1 5/8-12 UNF | .85 | 3.25 | 10.00 | 3.15 | 4.84 | 6.31 | 1.26 |
| XVP506HP-24 | 1 7/8-12 UNF | .99 | 3.75 | 10.00 | 3.35 | 5.33 | 6.76 | 1.50 |
| XVP506HP-32 | 2 1/2-12 UNF | 1.30 | 4.50 | 10.00 | 3.94 | 6.54 | 7.42 | 1.89 |

