

Brass Ball Valves Series 500

Advantages

Parker's forged body ball valve provides extended service life and resists failure caused by severe temperature applications. Optimum flow design assures maximum system efficiency. Highly inert PTFE seats and seals provide resistance to chemical corrosion. Parker also provides a blow-out proof stem, chrome plated brass ball and a specially designed handle enabling increased turning leverage for ease of opening and closing. Parker's ball valve can be readily identified assuring high quality engineering and reliability. This economical ball valve is available in female pipe sizes. Parker's ball valve bodies are machined from high quality CA 377 forgings.

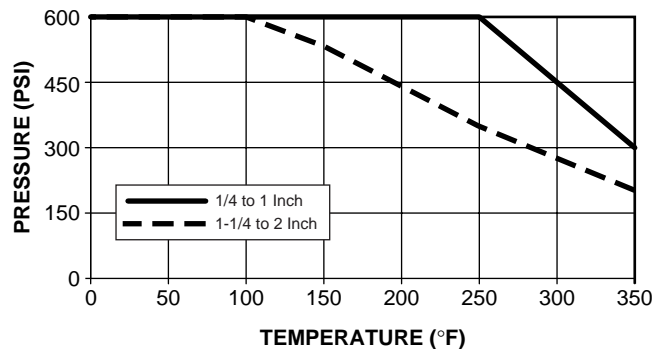
Applications

Parker's industrial ball valve product line is intended for general purpose use. Please be aware that ball valves are intended for use in the fully open or closed positions. Depending on application conditions, throttling of the valve may result in premature seal failure and/or inability to turn the valve handle.

For use as fuel line shutoffs for gasoline and diesel powered over the highway, off highway, and construction equipment vehicles. Water and air service lines on capital equipment and plant design plumbing that require total shutoff capability.

Working Pressure and Temperature

Saturated steam service up to 150 PSI and 400° F
 Vacuum, 29 Inches of Mercury
 Vented up to 250 PSI



Operating Instructions

Quarter turn is "ON" or "OFF".
 (Provides positive stop action for full shutoff.)

NOTE: PERIODICALLY CHECK THE ADJUSTABLE PACKING NUT AND TIGHTEN AS REQUIRED.

| Style | Type | Material | Size | Options |
|----------|--|----------|------|---------|
| V | 500 | P | -4 | -00 |
| Style | V-Valve VP-Valve, Padlocking Handle VV-Valve, Vented VVP-Valve, Vented, Padlocking Handle | | | |
| Type | 500-Female/Female PTF Ports | | | |
| Material | P- Brass PN-Nickel Plated | | | |
| Size | 4-1/4" 6-3/8" 8-1/2" 12-3/4" 16-1" | | | |
| Options | 01-Stainless Steel Ball & Stem 02-Stainless Steel Handle & Nut 03-Stainless Steel Ball, Stem, Handle & Nut 04-Tee Handle 08-Unmarked Yellow Vinyl Handle Cover 21-Oval Handle | | | |

| Style | Type | Material | Size |
|----------|--|----------|------|
| V | 500 | P | -20 |
| Style | V-Valve VP-Valve, Padlocking Handle | | |
| Type | 500-Female/Female PTF Ports | | |
| Material | P- Brass | | |
| Size | 20-1 1/4" 24-1 1/2" 32-2" | | |

Flow Data

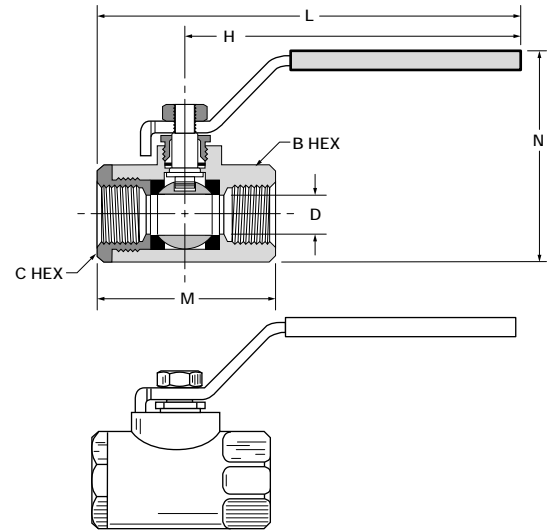
| VALVE SIZE | CV |
|------------|-------|
| 1/4 | 4.0 |
| 3/8 | 5.8 |
| 1/2 | 12.0 |
| 3/4 | 35.0 |
| 1 | 54.0 |
| 1-1/4 | 57.0 |
| 1-1/2 | 92.0 |
| 2 | 224.0 |

Brass Ball Valves Series 500

Female-Female Pipe Ends XV500P

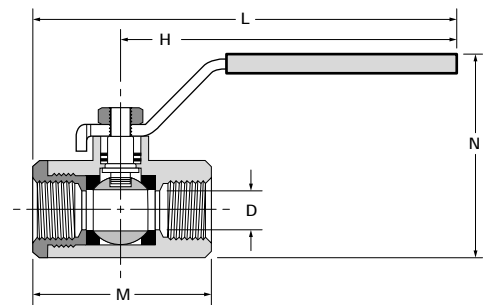
| PART NO. | PIPE THREAD [PTF] | B HEX | C HEX | H | L | M | N | FLOW DIA.D |
|-----------|-------------------|--------|--------|------|------|------|------|------------|
| XV500P-4 | 1/4 | 15/16 | 15/16 | 3.96 | 4.90 | 2.03 | 2.47 | .375 |
| XV500P-6 | 3/8 | 15/16 | 15/16 | 3.96 | 4.90 | 2.03 | 2.47 | .375 |
| XV500P-8 | 1/2 | 1-1/16 | 1-1/16 | 3.96 | 5.00 | 2.20 | 2.58 | .500 |
| XV500P-12 | 3/4* | 1-1/4 | 1-5/16 | 3.96 | 5.25 | 2.42 | 2.81 | .685 |
| XV500P-16 | 1* | 1-1/2 | 1-9/16 | 3.96 | 5.34 | 2.75 | 3.08 | .875 |

*PTF special extra short



Female-Female Pipe Ends XV500P-20, XV500P-24, XV500P-32

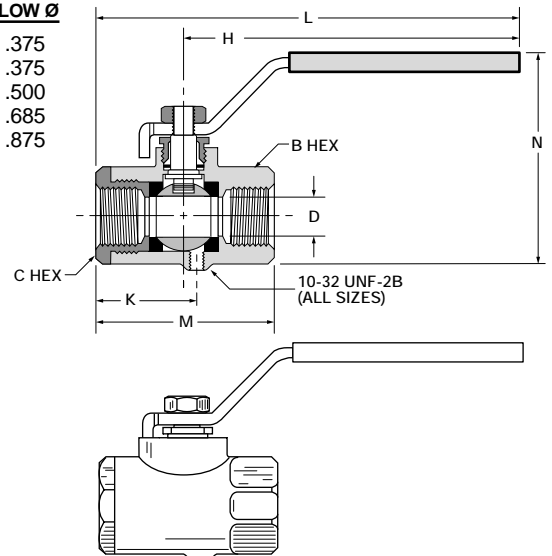
| PART NO. | PIPE THREAD [PTF] | OCTAGON | H | L | M | N | FLOW DIA.D |
|-----------|-------------------|---------|------|------|------|------|------------|
| XV500P-20 | 1-1/4 | 1.93 | 6.22 | 8.05 | 3.66 | 3.98 | 1.18 |
| XV500P-24 | 1-1/2 | 2.13 | 6.22 | 8.23 | 4.02 | 4.43 | 1.50 |
| XV500P-32 | 2 | 2.69 | 6.22 | 8.58 | 4.76 | 5.02 | 1.89 |



Vented, Female Pipe Ends XV500P

| PART NO. | PIPE THREAD | B HEX | C HEX | K | H | L | M | N | D FLOW Ø |
|------------|-------------|--------|--------|------|------|------|------|------|----------|
| XVV500P-4 | 1/4 | 15/16 | 15/16 | 1.11 | 3.96 | 4.90 | 2.03 | 2.47 | .375 |
| XVV500P-6 | 3/8 | 15/16 | 15/16 | 1.11 | 3.96 | 4.90 | 2.03 | 2.47 | .375 |
| XVV500P-8 | 1/2 | 1-1/16 | 1-1/16 | 1.23 | 3.96 | 5.00 | 2.20 | 2.58 | .500 |
| XVV500P-12 | 3/4* | 1-1/4 | 1-5/16 | 1.45 | 3.96 | 5.25 | 2.42 | 2.81 | .685 |
| XVV500P-16 | 1* | 1-1/2 | 1-9/16 | 1.58 | 3.96 | 5.34 | 2.75 | 3.08 | .875 |

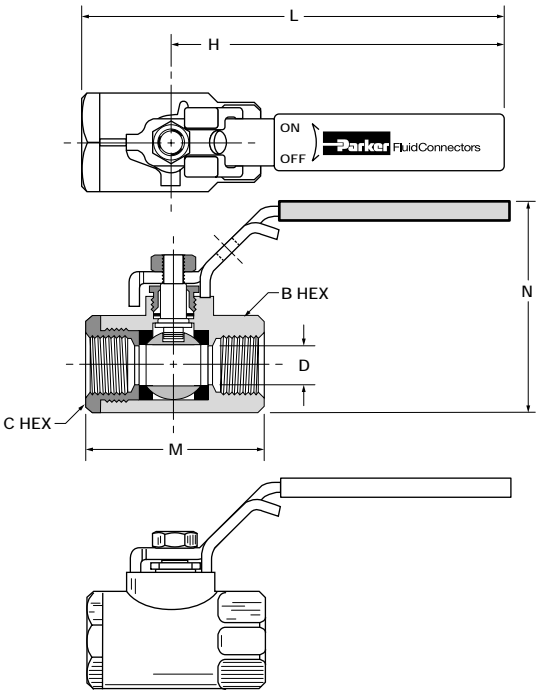
*PTF special extra short



Locking Handle, Female Pipe Ends XVP500P

| PART NO. | PIPE THREAD | B HEX | C HEX | H | L | M | N | D FLOW Ø |
|---------------------------------------|-------------|---------|---------|------|------|------|------|----------|
| XVP500P-4 | 1/4 | 15/16 | 15/16 | 3.96 | 4.90 | 2.03 | 2.47 | .375 |
| XVP500P-6 | 3/8 | 15/16 | 15/16 | 3.96 | 4.90 | 2.03 | 2.47 | .375 |
| XVP500P-8 | 1/2 | 1-1/16 | 1-1/16 | 3.96 | 5.00 | 2.20 | 2.58 | .500 |
| XVP500P-12 | 3/4* | 1-1/4 | 1-5/16 | 3.96 | 5.25 | 2.42 | 2.81 | .685 |
| XVP500P-16 | 1* | 1-1/2 | 1-9/16 | 3.96 | 5.34 | 2.75 | 3.08 | .875 |
| For use with 5/16" Ø shank lock; .33Ø | | | | | | | | |
| XVP500P-20 | 1-1/4 | 1-15/16 | 1-15/16 | 6.22 | 8.05 | 3.66 | 4.04 | 1.180 |
| XVP500P-24 | 1-1/2 | 2-1/8 | 2-1/8 | 6.22 | 8.23 | 4.02 | 4.52 | 1.500 |
| XVP500P-32 | 2 | 2-11/16 | 2-11/16 | 6.22 | 8.60 | 4.76 | 5.07 | 1.890 |

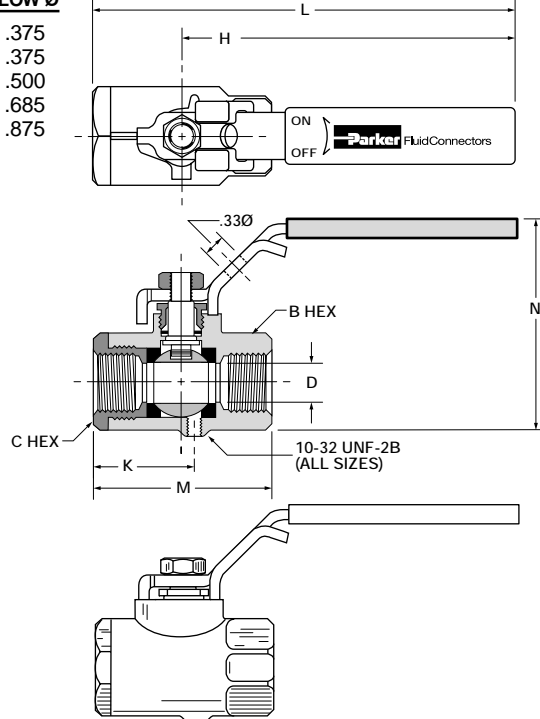
For use with 9/32" Ø shank lock; .31Ø
 *PTF special extra short



OSHA 29 CFR Part 1910 Vented, Locking Handle, Female Pipe Ends XVVP500P

| PART NO. | PIPE THREAD | B HEX | C HEX | K | H | L | M | N | D FLOW Ø |
|-------------|-------------|--------|--------|------|------|------|------|------|----------|
| XVVP500P-4 | 1/4 | 15/16 | 15/16 | 1.11 | 3.96 | 4.90 | 2.03 | 2.47 | .375 |
| XVVP500P-6 | 3/8 | 15/16 | 15/16 | 1.11 | 3.96 | 4.90 | 2.03 | 2.47 | .375 |
| XVVP500P-8 | 1/2 | 1-1/16 | 1-1/16 | 1.23 | 3.96 | 5.00 | 2.20 | 2.58 | .500 |
| XVVP500P-12 | 3/4* | 1-1/4 | 1-5/16 | 1.45 | 3.96 | 5.25 | 2.42 | 2.81 | .685 |
| XVVP500P-16 | 1* | 1-1/2 | 1-9/16 | 1.58 | 3.96 | 5.34 | 2.75 | 3.08 | .875 |

For use with 5/16" Ø shank lock
 *PTF special extra short

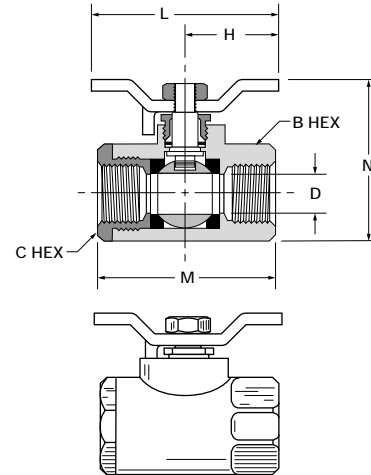


Brass Ball Valves Series 500

Tee Handle, Female Pipe Ends XV500P-X-04

| PART NO. | PIPE THREAD | B HEX | C HEX | H | L | M | N | D FLOW Ø |
|--------------|-------------|--------|--------|------|------|------|------|----------|
| XV500P-4-04 | 1/4 | 15/16 | 15/16 | 1.25 | 2.50 | 2.03 | 1.87 | .375 |
| XV500P-6-04 | 3/8 | 15/16 | 15/16 | 1.25 | 2.50 | 2.03 | 1.87 | .375 |
| XV500P-8-04 | 1/2 | 1-1/16 | 1-1/16 | 1.25 | 2.50 | 2.20 | 1.98 | .500 |
| XV500P-12-04 | 3/4* | 1-1/4 | 1-5/16 | 1.25 | 2.50 | 2.42 | 2.20 | .685 |
| XV500P-16-04 | 1* | 1-1/2 | 1-9/16 | 1.25 | 2.50 | 2.75 | 2.48 | .875 |

*PTF special extra short



Oval Handle, Female Pipe Ends XV500P-X-21

| PART NO. | PIPE THREAD | B HEX | C HEX | H | L | M | N | D FLOW Ø |
|--------------|-------------|--------|--------|------|------|------|------|----------|
| XV500P-4-21 | 1/4 | 15/16 | 15/16 | 1.74 | 3.49 | 2.03 | 2.38 | .375 |
| XV500P-6-21 | 3/8 | 15/16 | 15/16 | 1.74 | 3.49 | 2.03 | 2.38 | .375 |
| XV500P-8-21 | 1/2 | 1-1/16 | 1-1/16 | 1.74 | 3.49 | 2.20 | 2.49 | .500 |
| XV500P-12-21 | 3/4* | 1-1/4 | 1-5/16 | 1.74 | 3.48 | 2.42 | 2.71 | .685 |
| XV500P-16-21 | 1* | 1-1/2 | 1-9/16 | 1.74 | 3.48 | 2.75 | 2.99 | .875 |

*PTF special extra short

